

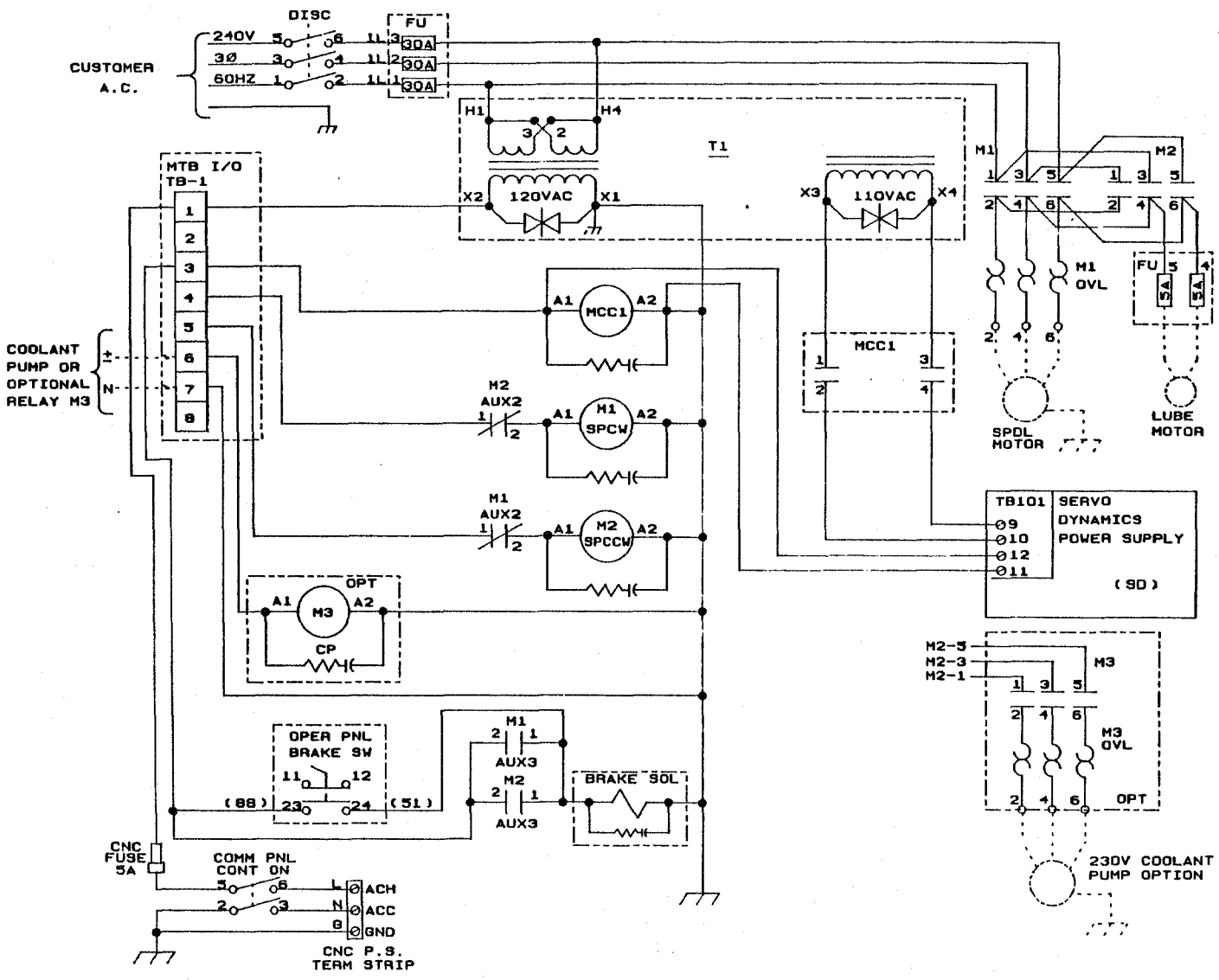
- | | |
|----|--------------------|
| 14 | = 4201611, 4201602 |
| 13 | = 4202439 |
| 12 | = 4201595 SPINDLE |
| 11 | = 4201594 SERVO Z |
| 10 | = 4201593 SERVO Y |
| 9 | = 4201592 SERVO X |
| 8 | = 4201560 |
| 7 | = 4203142 |
| 6 | = 4201559 (2) |
| 5 | = 4201315 |
| 4 | = 4202349 |
| 3 | = 4201290 |
| 2 | = 4202430 |
| 1 | = 4201998 |

CABLE LIST

PART NO. 4203642

*Δ 20 3 Axis
MTB I/O*

TITLE ASSY - ELECTRICAL MCP2	
MATERIAL SEE PARTS LIST	FINISH
UNLESS OTHERWISE SPECIFIED • DIMS ARE IN INCHES (DIM IN PARENTHESES ARE CERTAIN) 1 • DIMS TO BE MET AFTER SURFACE TREATMENT • BREAK ALL SHARP EDGES 0.10R APPROX. TOLERANCES: DECIMAL ANGLES :0° 30' X : 0.00 DECERTY XX : 0.30 SPECIFIED XXX: 0.10 CHAMFER *10°	NEXT ASSY. FINAL ASSY. DRAWN <i>Spald</i> 1/18/94 CHECKED APPROVED <i>DS</i> 1/18/94 ENGR APPROVAL
THIS DOCUMENT CONTAINS PROPRIETARY INFORMATION AND SUCH INFORMATION MAY NOT BE DISCLOSED TO OTHERS FOR ANY PURPOSE OR USED FOR MANU- FACTURING PURPOSES WITHOUT WRITTEN PERMISSION FROM: AUTODCON Technologies, Inc. Farmington Hills, MI	
SIZE C	4203642
SCALE	REV. B
SHEET 1 OF 5	



PART NO. 4203642

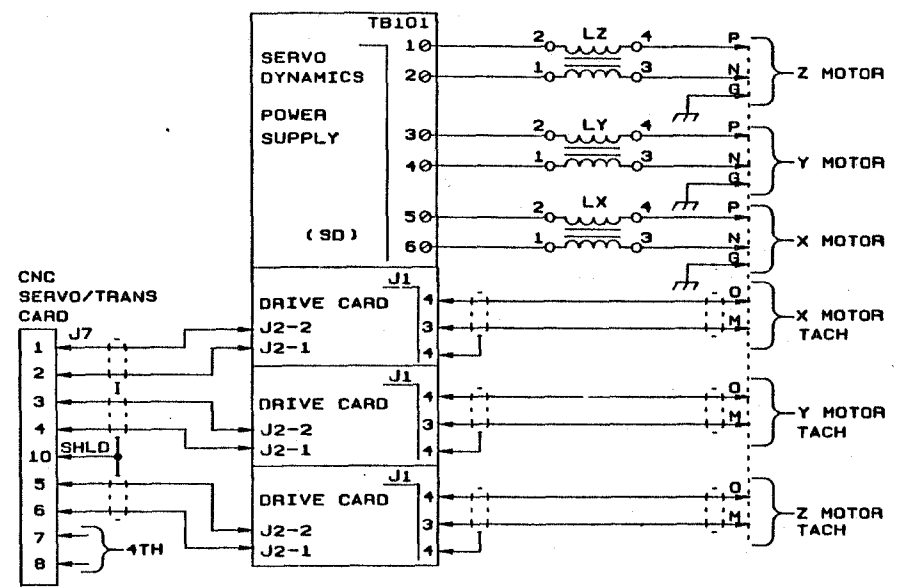
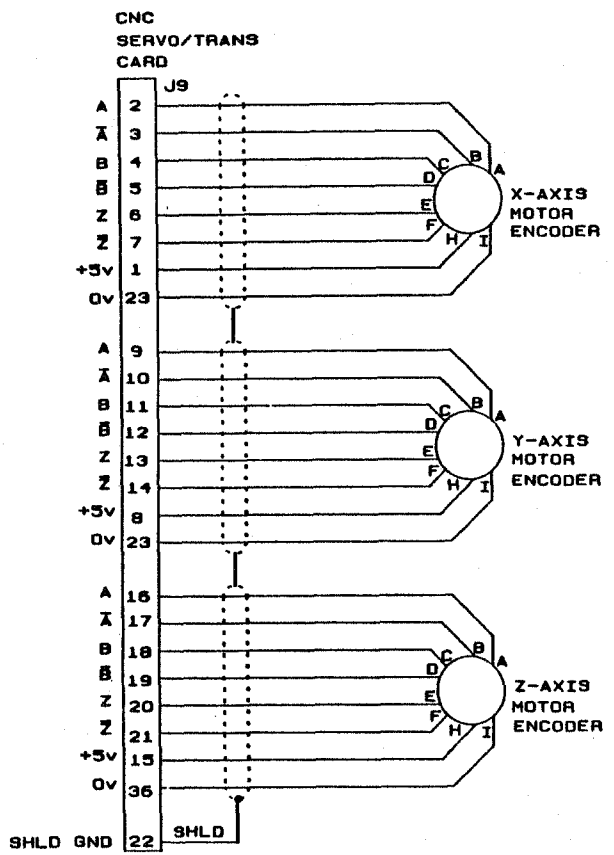
TITLE
ASSY - ELECTRICAL
MCP2

MATERIAL	FINISH
UNLESS OTHERWISE SPECIFIED DIMS ARE IN INCHES DIMS IN PARENTHESES ARE CENTIMETERS DIMS TO BE MET AFTER SURFACE TREATMENT BREAK ALL SHARP EDGES CHAMFER APPROX. TOLERANCES - DECIMAL ANGLES :0°30' H : .000 EXCEPT XX : .000 SPECIFIED XXX : .010 CHAMFER *10°	FINISH ASSY.
	DRAWN <i>[Signature]</i> <i>[Signature]</i>
	CHECKED
	APPROVED
	ENGR APPROVAL

THIS DOCUMENT CONTAINS PROPRIETARY INFORMATION AND SUCH INFORMATION MAY NOT BE DISCLOSED TO OTHERS FOR ANY PURPOSE OR USED FOR MANUFACTURING PURPOSES WITHOUT WRITTEN PERMISSION FROM:
AUTODIN Technologies, Inc.
 Farmington Hills, MI

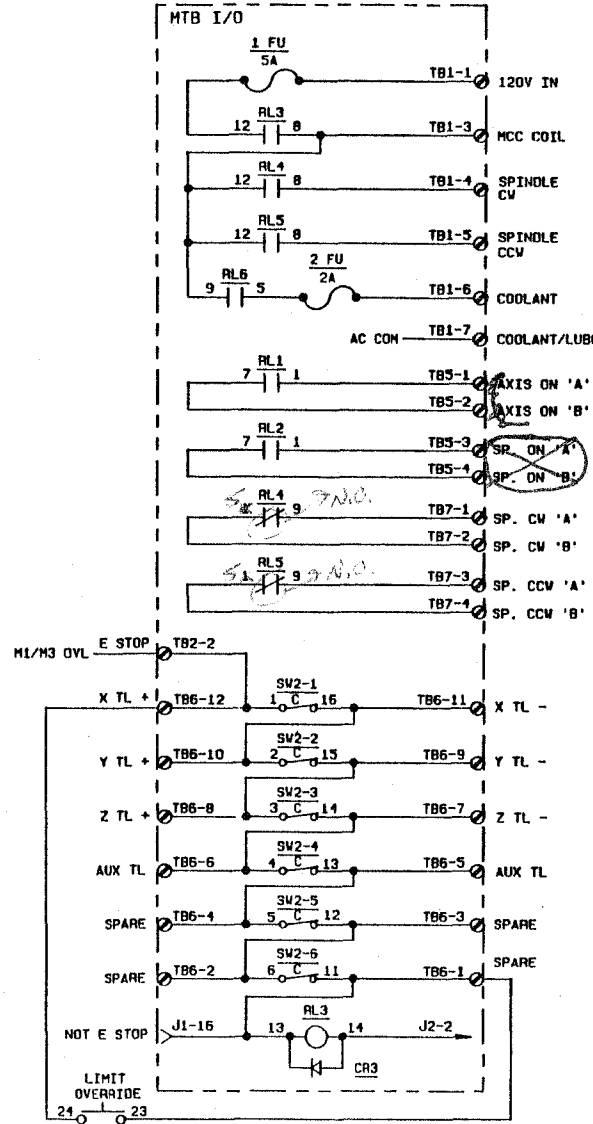
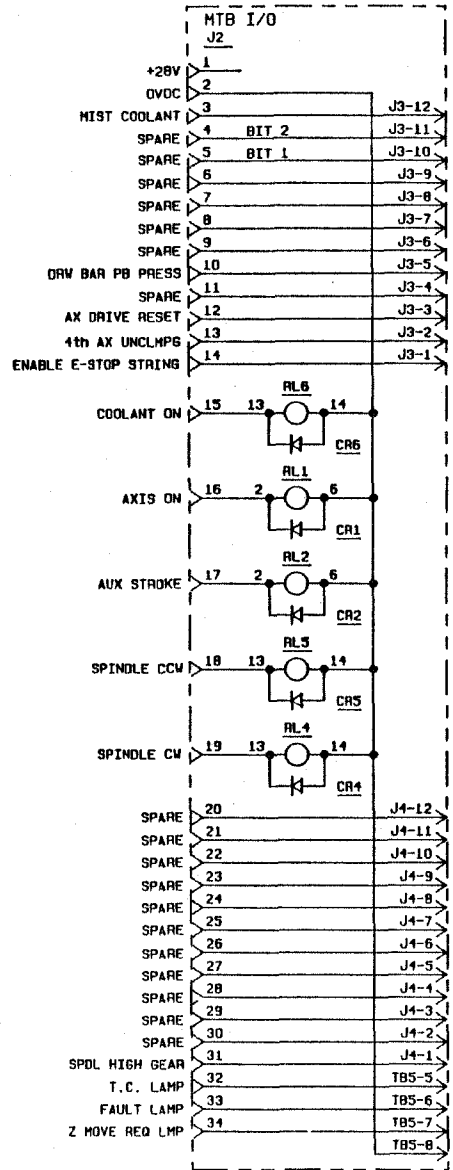
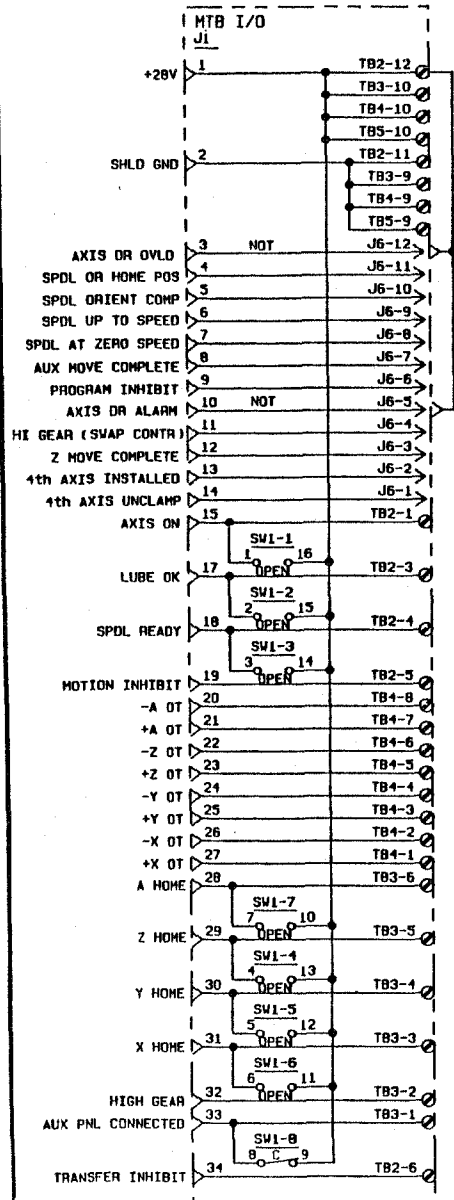
SIZE	4203642	REV
C		B
SCALE		SHEET 2 OF 5

NOTE: (WIRE NUMBERS)



PART 4203642
NO.

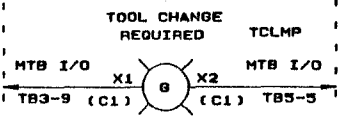
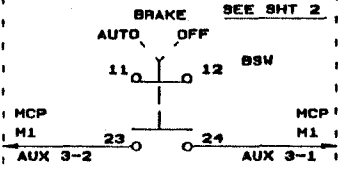
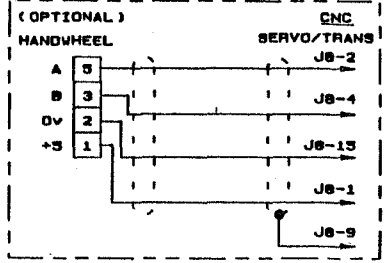
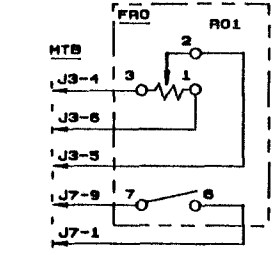
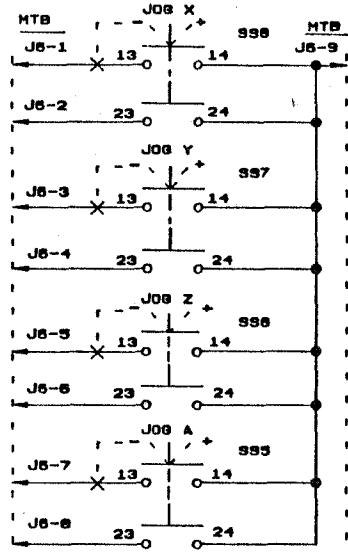
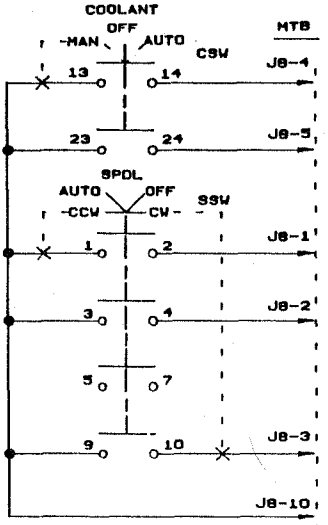
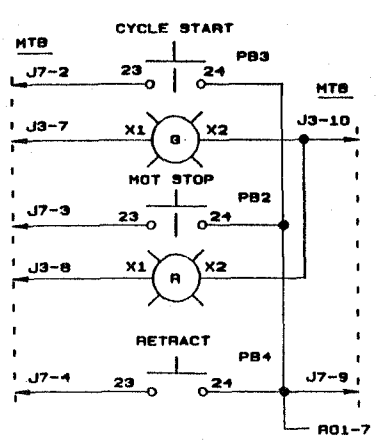
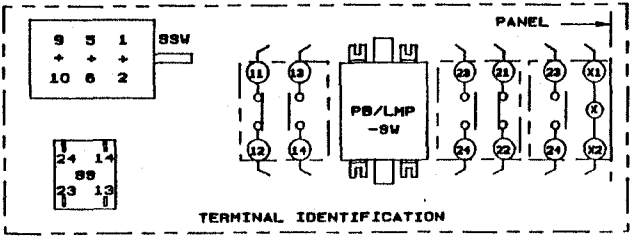
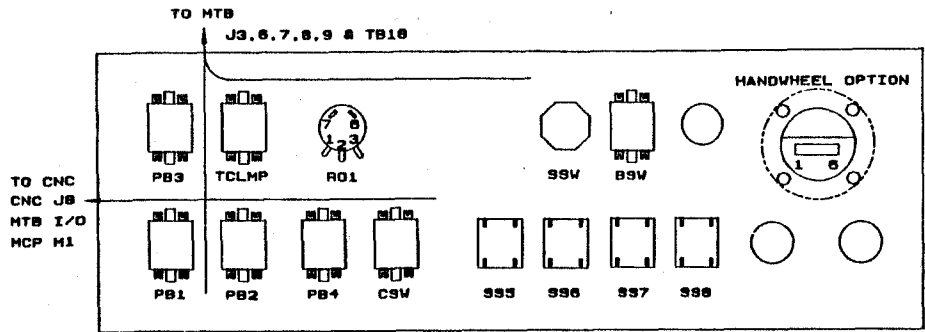
TITLE		ASSY - ELECTRICAL	
		MCP2	
MATERIAL	FINISH	NEXT ASSY.	
UNLESS OTHERWISE SPECIFIED		FINAL ASSY.	
• DIMS ARE IN INCHES (DIM IN PARENTHESES ARE DIMETERS)		DRAWN	<i>Barb</i> <i>1/1/94</i>
• DIMS TO BE MET AFTER SURFACE TREATMENT		CHECKED	
• BREAK ALL SHARP EDGES 0.005 APPROX		APPROVED	
TOLERANCES:		ENGR APPROVAL	
DECIMAL	ANGLES °0' 30"		
X ± .000 EXCEPT			
XX ± .030 SPECIFIED			
XXX ± .010 CHAMFER .10"			
THIS DOCUMENT CONTAINS PROPRIETARY INFORMATION AND SUCH INFORMATION MAY NOT BE DISCLOSED TO OTHERS FOR ANY PURPOSE OR USED FOR MANUFACTURING PURPOSES WITHOUT WRITTEN PERMISSION FROM:			
AUTOCOM Technologies, Inc. Farmington Hills, MI			
SIZE	4203642	REV	B
C			
SCALE		SHEET 3 OF 5	



AUX STROKE
'A' & 'B'

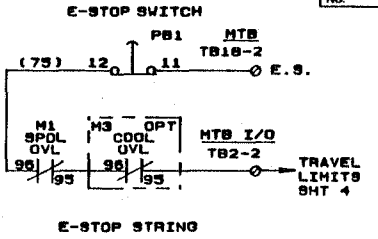
PART NO. 4203642

TITLE ASSY - ELECTRICAL	
MCP2	
MATERIAL	FINISH
LINERS (OTHERWISE DESIGNATED) • DIMS ARE IN INCHES (UNLESS OTHERWISE SPECIFIED)	NEXT ASSY.
• DIMS TO BE MET AFTER SURFACE TREATMENT • BREAK ALL SHARP EDGES • 90° APPROX. • TOLERANCES: DECIMAL (ANGLE) 0.0030 X 0.000 EXCEPT XXX.000 SPECIFIED CHANGES +10°	FINAL ASSY. DRAWN <i>Swyg</i> <i>W/ly</i> CHECKED APPROVED ENGR APPROVAL
THIS DOCUMENT CONTAINS PROPRIETARY INFORMATION AND SUCH INFORMATION MAY NOT BE DISCLOSED TO OTHERS FOR ANY PURPOSE OR USED FOR MANUFACTURING PURPOSES WITHOUT WRITTEN PERMISSION FROM: AUTOCOM Technologies, Inc. Farmington Hills, MI	
SIZE C	REV. B
SHEET 4 OF 5	



NOTE: (WIRE NUMBER)

PART 4203642
NO.



TITLE
ASSY - ELECTRICAL
MCP2

MATERIAL	FINISH
1. DIMS OTHER THAN SPECIFIED + DIMS ARE IN INCHES (DIMS IN PARENTHESES ARE DIMENSIONS)	NEXT ASSY.
2. DIMS TO BE MET AFTER SURFACE TREATMENT	FINAL ASSY.
3. BREAK ALL SHARP EDGES Q100 APPROX.	DRAWN <i>Shay</i> <i>W/ht</i>
4. TOLERANCES -	CHECKED
DECIMAL: ANGLES: 10° 30'	APPROVED
X: .050 EXCEPT	ENGR. APPROVAL
XX: .020 SPECIFIED	
XXX: .010 CHAMFER: *10°	

THIS DOCUMENT CONTAINS PROPRIETARY INFORMATION
AND SUCH INFORMATION MAY NOT BE DISCLOSED
TO OTHERS FOR ANY PURPOSE OR USED FOR MANU-
FACTURING PURPOSES WITHOUT WRITTEN PERMISSION
FROM:
AUTOCOR Technologies, Inc.
Farmington Hills, MI

SIZE C	4203642	REV B
SCALE		SHEET 5 OF 5