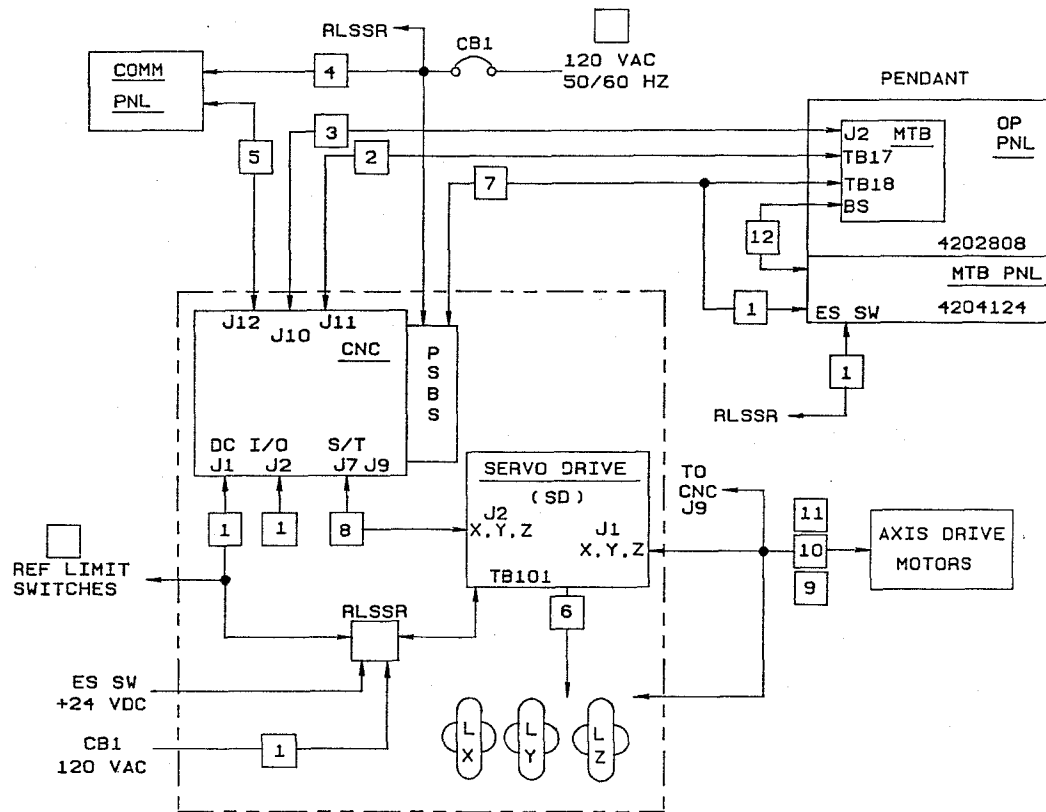


LTR	REVISIONS	DATE
A	RELEASE	11/1/84
B	SEE ECO 27362	11/1/84



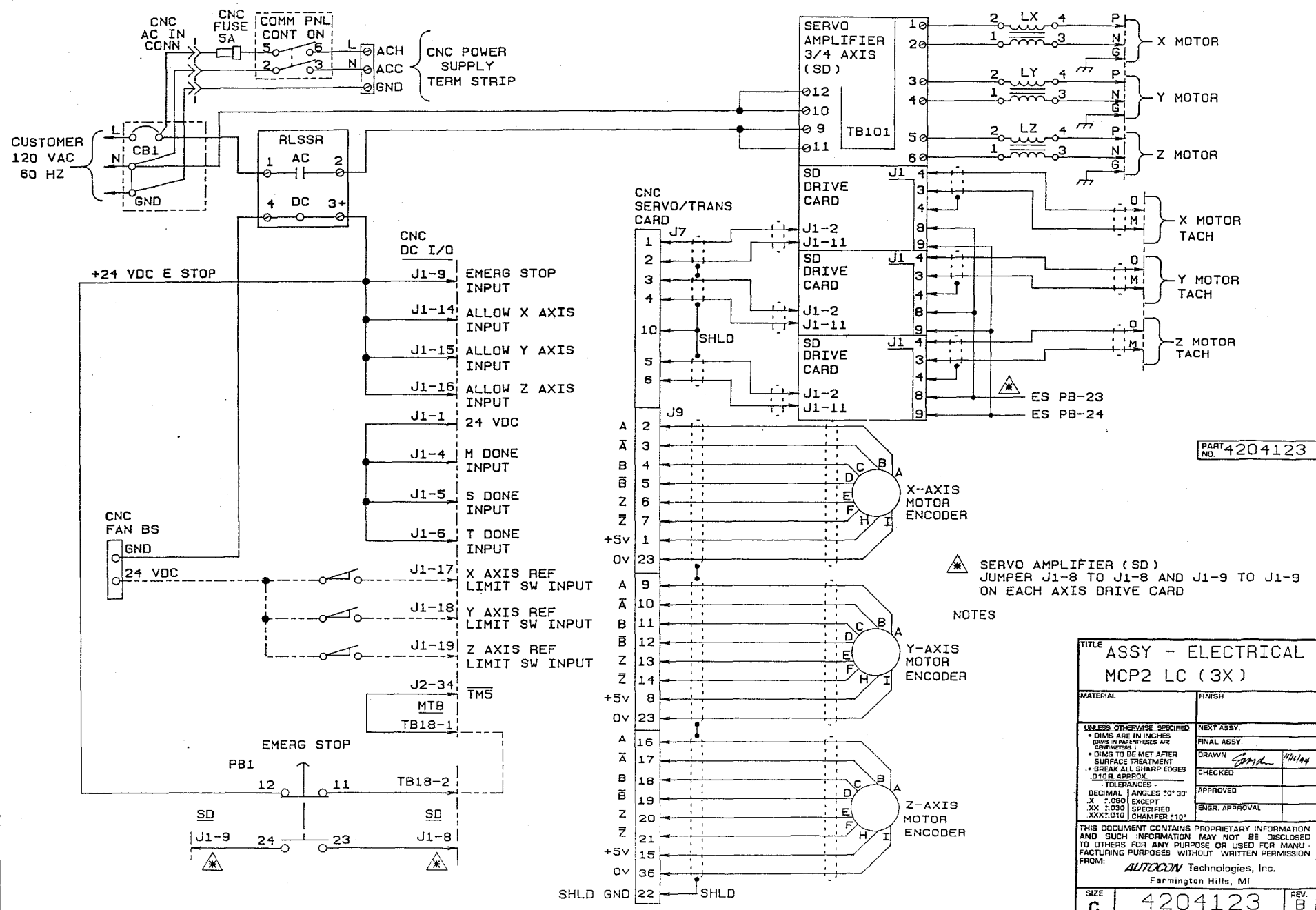
- | | |
|----|-----------------------------|
| 12 | = 4201996 PANEL |
| 11 | = 4201594 SERVO Z |
| 10 | = 4201593 SERVO Y |
| 9 | = 4203641 SERVO X |
| 8 | = 4201560 SERVO |
| 7 | = 4203142 DC POWER |
| 6 | = 4203874 SD/L |
| 5 | = 4201315 COMM |
| 4 | = 4201289 POWER |
| 3 | = 4201290 CONTROL |
| 2 | = 4202430 CRT |
| 1 | = SEE SHT 2/3 (REF 4204122) |
| □ | = BY CUSTOMER |

CABLE LIST

PART NO. 4204123

Δ20 no MTB
F10

TITLE	
ASSY - ELECTRICAL MCP2 LC (3X)	
MATERIAL	FINISH
UNLESS OTHERWISE SPECIFIED • DIMS ARE IN INCHES • DIMS IN PARENTHESES ARE CENTIMETERS • DIMS TO BE MET AFTER SURFACE TREATMENT • BREAK ALL SHARP EDGES .010R APPROX. • TOLERANCES - DECIMAL ANGLES : 0° 30' .X : .050 EXCEPT .XX : .030 SPECIFIED .XXX : .010 CHAMFER +10°	NEXT ASSY. FINAL ASSY. DRAWN <i>[Signature]</i> <i>[Date]</i> CHECKED APPROVED ENGR. APPROVAL
THIS DOCUMENT CONTAINS PROPRIETARY INFORMATION AND SUCH INFORMATION MAY NOT BE DISCLOSED TO OTHERS FOR ANY PURPOSE OR USED FOR MANU- FACTURING PURPOSES WITHOUT WRITTEN PERMISSION FROM: AUTOCOR Technologies, Inc. Farmington Hills, MI	
SIZE C	4204123 REV B
SCALE	SHEET 1 OF 3

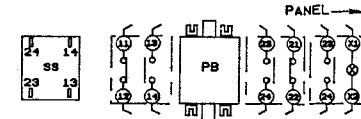
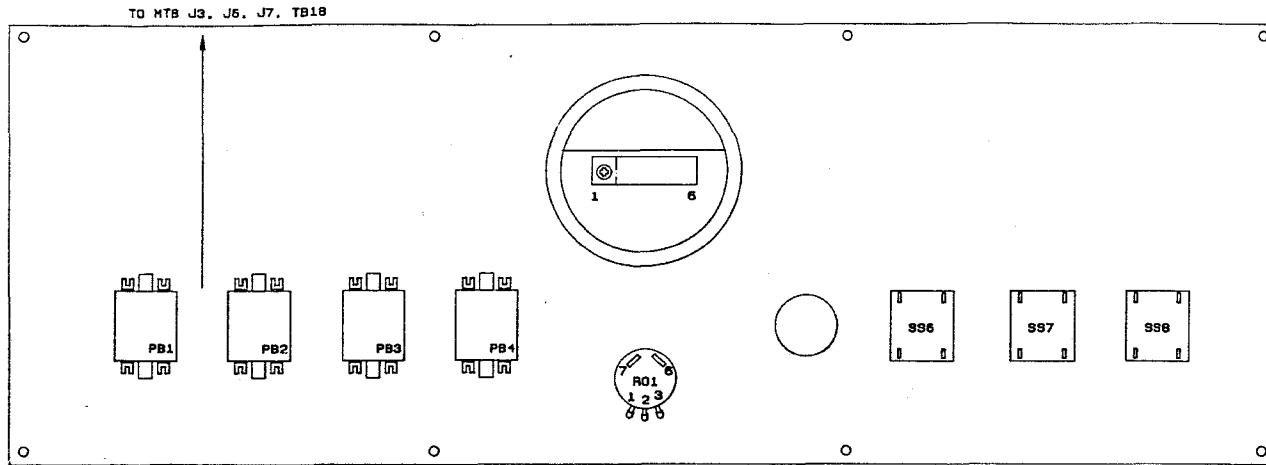


PART 4204123
No.

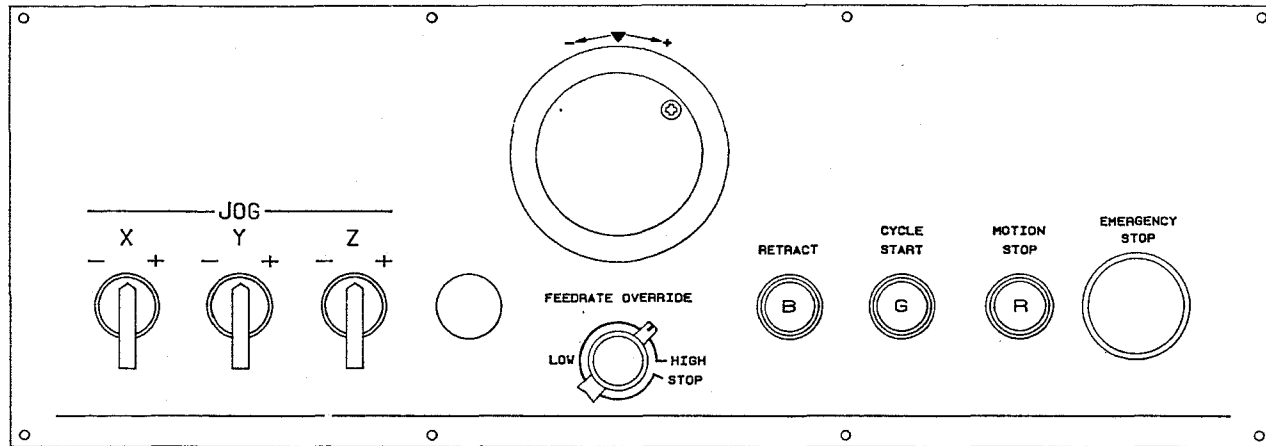
⚠ SERVO AMPLIFIER (SD)
JUMPER J1-8 TO J1-8 AND J1-9 TO J1-9
ON EACH AXIS DRIVE CARD

NOTES

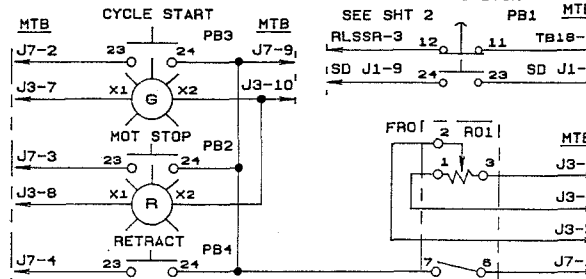
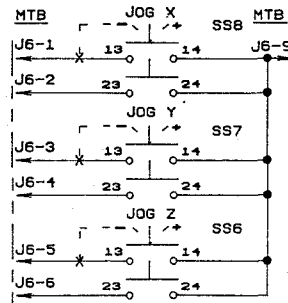
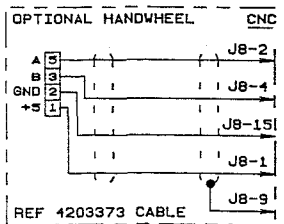
TITLE	
ASSY - ELECTRICAL MCP2 LC (3X)	
MATERIAL	FINISH
UNLESS OTHERWISE SPECIFIED	NEXT ASSY.
• DIMS ARE IN INCHES (DIMS IN PARENTHESES ARE CENTIMETERS)	FINAL ASSY.
• DIMS TO BE MET AFTER SURFACE TREATMENT	DRAWN <i>Edm. M/104</i>
• BREAK ALL SHARP EDGES D10. APPROX	CHECKED
TOLERANCES -	APPROVED
DECIMAL ANGLES ±0° 30'	ENGR. APPROVAL
X ±.000 EXCEPT	
XX ±.030 SPECIFIED	
XXX ±.010 CHAMFER .10"	
THIS DOCUMENT CONTAINS PROPRIETARY INFORMATION AND SUCH INFORMATION MAY NOT BE DISCLOSED TO OTHERS FOR ANY PURPOSE OR USED FOR MANU- FACTURING PURPOSES WITHOUT WRITTEN PERMISSION FROM:	
AUTOCOM Technologies, Inc. Farmington Hills, MI	
SIZE C	4204123
SCALE	REV. B
	SHEET 2 OF 3



TERMINAL IDENTIFICATION



PART NO. 4204123



TITLE
ASSY - ELECTRICAL
MCP2 LC (3X)

MATERIAL	FINISH
UNLESS OTHERWISE SPECIFIED • DIMS ARE IN INCHES (DIM IN PARENTHESES ARE CENTIMETERS) • DIMS TO BE MET AFTER SURFACE TREATMENT • BREAK ALL SHARP EDGES • D/DIG APPROX. • TOLERANCES: DECIMAL ANGLES $\pm 0^{\circ} 30'$ X $\pm .080$ EXCEPT XX $\pm .000$ SPECIFIED XXX $\pm .010$ CHAMFER $1:10$	NEXT ASSY. FINAL ASSY. DRAWN <i>EmL</i> <i>M/1/84</i> CHECKED APPROVED ENGR. APPROVAL
THIS DOCUMENT CONTAINS PROPRIETARY INFORMATION AND SUCH INFORMATION MAY NOT BE DISCLOSED TO OTHERS FOR ANY PURPOSE OR USED FOR MANU- FACTURING PURPOSES WITHOUT WRITTEN PERMISSION FROM: AUTOCOM Technologies, Inc. Farmington Hills, MI	
SIZE C	4204123
SCALE	SHEET 3 OF 3