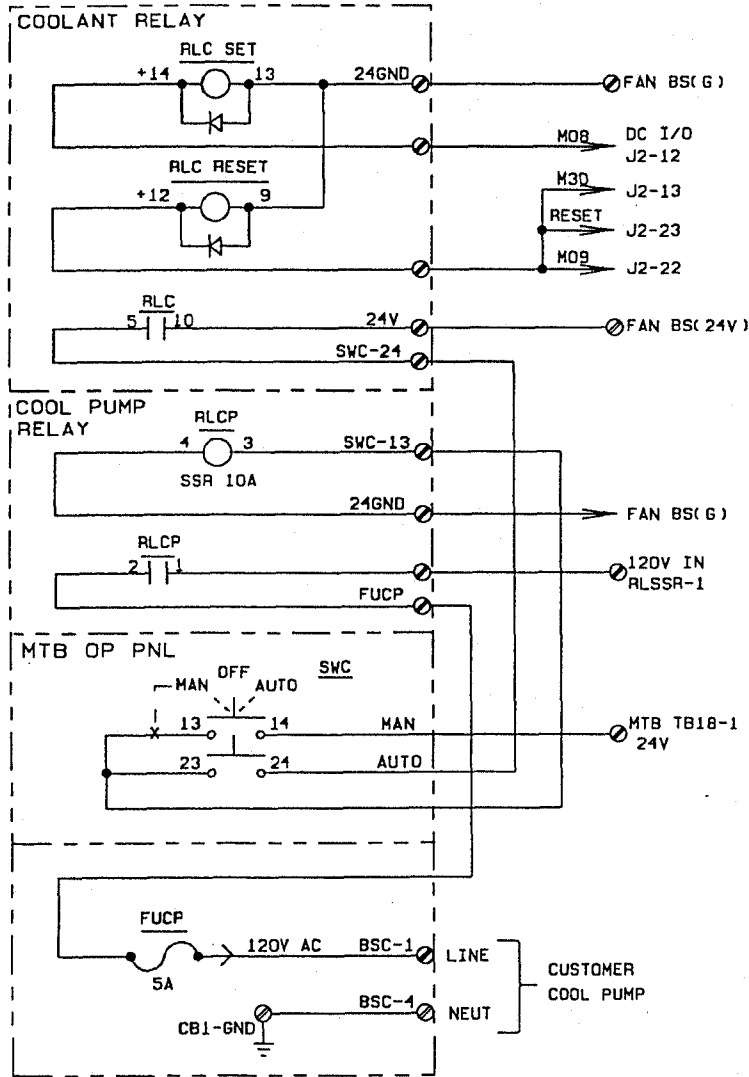
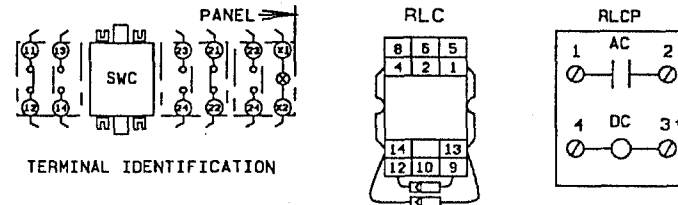


WIRING INSTRUCTIONS FOR 120V AC COOLANT OPTION



NO	FROM	TO	WIRE AWG/COLOR	LENGTH	TERMINAL	REMARKS
	RLCP-1	RLSSR-1	# 18 AWG BRN	2 FT	3728134	
	RLCP-2	FUCP	# 18 AWG BRN	8 IN	3728134	3724544 A/R
	RLCP-3	SWC-13	# 20 AWG BLK	12 FT	3703538	3707993(SWC)
	RLCP-4	FAN_BS(G)	# 20 AWG BLK	2 FT	3703538	STRIP .31 & TIN
	RLC-9	RLC-13	# 20 AWG BLK	2 IN	JUMPER	STRIP .31 & TIN
	RLC-9	RLC-12	3705751 DIODE			INSULATE LEADS
	RLC-13	RLC-14	3705751 DIODE			INSULATE LEADS
	RLC-13	FAN BS(G)	# 20 AWG BLK	4 FT		STRIP .31 & TIN
	RLC-10	FAN BS 24V	# 20 AWG RED	12 FT	3707993(SWC)	STRIP .31 & TIN
	RLC-5	SWC-24	# 20 AWG RED	12 FT	3707993(SWC)	STRIP .31 & TIN
	SWC-13	SWC-23	# 20 AWG BLK	2 IN	3707993(SWC)	JUMPER
	SWC-14	TB18-1	# 20 AWG RED	2 FT	3707993(SWC)	STRIP .31 & TIN
	BSC-4	CB1-GND	# 18 AWG BLU	6 FT		STRIP .31 & TIN
	BSC-1	FUCP	# 18 AWG BRN	8 IN	3724544 A/R	STRIP .31 & TIN
	DC I/O J2-12	RLC-14	# 22 AWG WHT	2 FT	3737538	STRIP .31 & TIN
		J2-13	J2-23	2 IN		JUMPER
			J2-22	2 IN		JUMPER
		RLC-12		2 FT		STRIP .31 & TIN

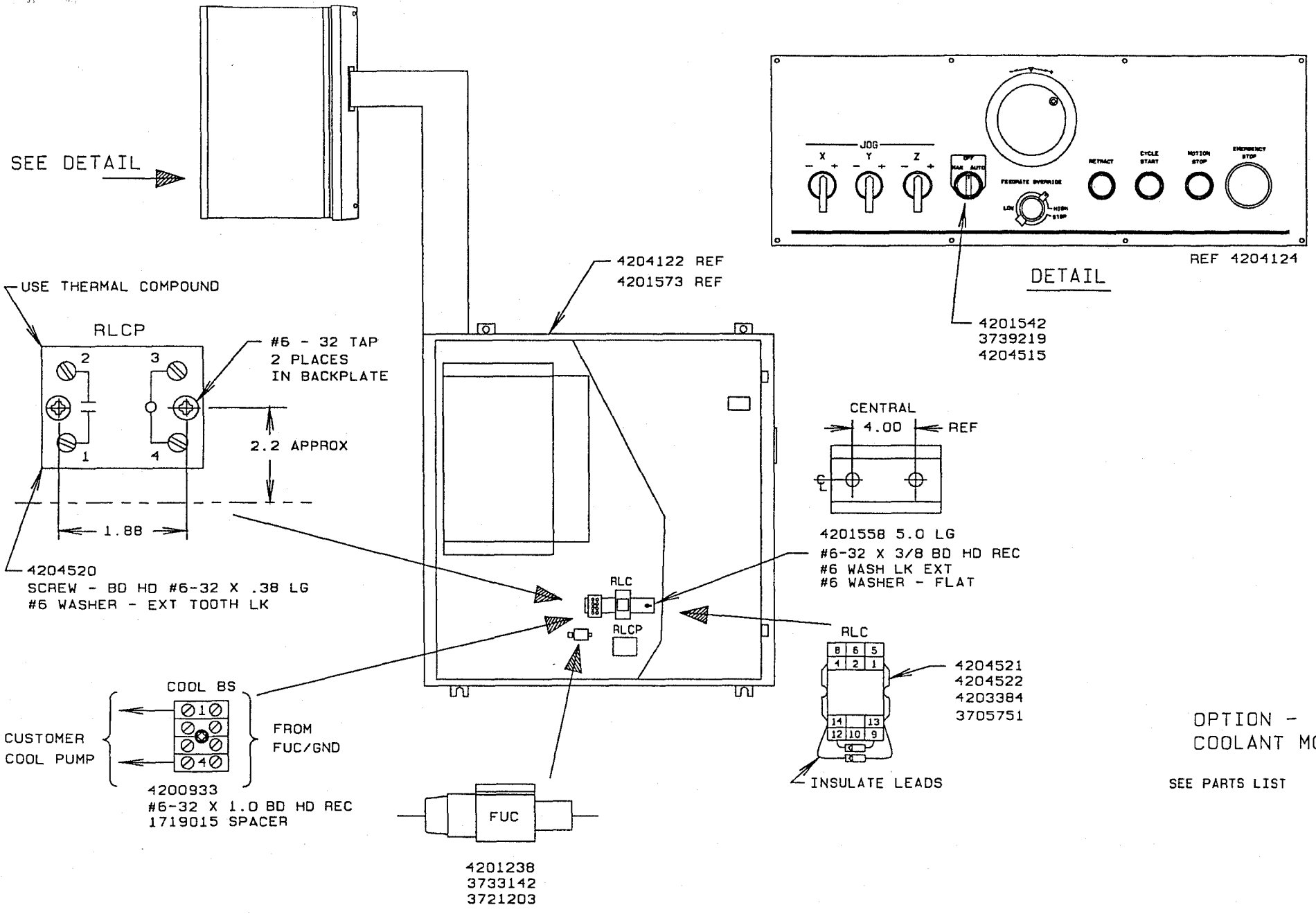
4204514



TERMINAL IDENTIFICATION

OPTION -  
COOLANT MCP2 LC

4204514 A



4204514

OPTION -  
COOLANT MCP2 LC  
SEE PARTS LIST

4204514 A